



25G SFP28 CWDM Transceiver Hot Pluggable, Duplex LC, CWDM DFB, SMF 10KM, DDM

Part Number: FSPP-N7-Cxx-10DQ



Overview

FSPP-N7-Cxx-10DQ is a Small Form Factor Pluggable SFP28 transceiver compliant with SFF-8402 SFP28 MSA standard. The high performance uncooled CWDM DFB transmitter and high sensitivity PIN receiver with built-in CDR provide superior performance for 25GBASE-LR Ethernet, CPRI Option #10 and CWDM Networks applications up to SMF 10km optical links.

Applications

- 25GBASE-LR Ethernet @25.78G
- CPRI Option #10 @24.33G
- eCPRI 5G Mobile Networks
- CWDM Networks

Features

- Compatible with IEEE802.3cc 25GBASE-LR
- Compliant with CPRI option10
- Compliant with SFF-8402 SFP28 MSA
- Data Rate up to 25.78Gbps
- Built-in CDR on both Transmitter and Receiver
- Hot Pluggable
- Uncooled CWDM DFB laser transmitter
- Duplex LC connector
- 2-wire interface for management and diagnostic monitor compliant with SFF-8472
- Single +3.3V power supply
- Link distance 10km over SM fiber
- Maximum power consumption 1.4W
- RoHS Compliant

Laser Safety

- This is a Class 1 Laser Product complies with 21 CFR 1040.10 and 1040.11 except for conformance with IEC 60825-1 Ed. 3., as described in Laser Notice No. 56, dated May 8, 2019.
- Caution: Use of control or adjustments or performance of procedure other than those specified herein may result in hazardous radiation exposure.



Absolute Maximum Ratings

Parameters	Symbol	Min.	Max.	Unit
Storage Temperature	T _{ST}	-40	+85	°C
Storage Relative Humidity	RH	5	95	%
Supply Voltage	V _{CC3}	-0.5	+4.0	V

Recommended Operating Conditions

Parameters	Symbol	Min.	Typ.	Max.	Unit
Case Operating Temp. (FSPP-N7-Cxx-10DQ)	T _{OP}	0	-	+70	°C
Case Operating Temp. (FSPP-N7-Cxx-10DQi)	T _{OP}	-40	-	+85	°C
Supply Voltage	V _{CC}	+3.13	+3.3	+3.47	V
Supply Current (FSPP-N7-Cxx-10DQ)	I _{CC}	-	-	360	mA
Supply Current (FSPP-N7-Cxx-10DQi)				400	mA
Power Consumption	P			1.4	W



Transmitter Electro-optical Characteristics

$V_{CC} = 3.13V$ to $3.47V$, $T_{OP} = 0\text{ }^{\circ}C$ to $70\text{ }^{\circ}C$ (FSPP-N7-Cxx-10DQ); $T_{OP} = -40\text{ }^{\circ}C$ to $85\text{ }^{\circ}C$ (FSPP-N7-Cxx-10DQi)

Parameters		Symbol	Min.	Typ.	Max.	Unit	Note
Operating Data Rate		DR	24.33	25.78		Gb/s	
Optical Launch Power		Po	-7		+2	dBm	1
Optical Center Wavelength		λ_c	$\lambda_c-6.5$	λ_c	$\lambda_c+6.5$	nm	
Spectral Width (-20dB)		$\Delta\lambda$			1	nm	
Side Mode Suppression Ratio		SMSR	30			dB	
Optical Extinction Ratio		ER	3.5			dB	
Transmitter Dispersion Penalty	1270~1310nm	TDP			1	dB	2
	1330~1370nm				2		
Optical Eye Mask			IEEE 802.3cc				
Relative Intensity Noise		RIN			-130	dB/Hz	
Differential Data Input Swing		V _{IN}	180		850	mV	
Tx Disable Input Voltage-Low (Tx ON)		TDISV _L	GND		0.8	V	
Tx Disable Input Voltage-High (Tx OFF)		TDISV _H	2.0		V _{cc}	V	
Tx Fault Output Voltage-Low (Tx Normal)		TFLT _{V_L}	GND		0.8	V	
Tx Fault Output Voltage-High (Tx Fault)		TFLT _{V_H}	2.0		V _{cc}	V	

Note1: The optical power is launched into a 9/125 μ m single mode fiber.

Note2: After 10km G.652D 9/125 μ m single mode fiber.



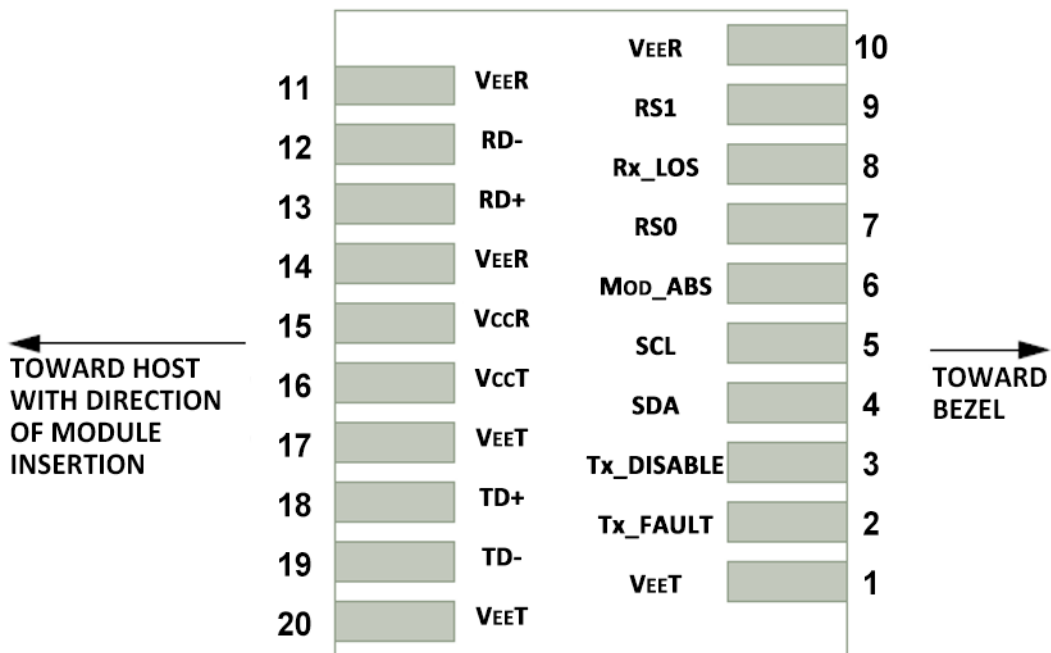
Receiver Electro-optical Characteristics

V_{CC} = 3.13V to 3.47V, T_{OP} = 0 °C to 70 °C(FSPP-N7-Cxx-10DQ); T_{OP} = -40 °C to 85 °C(FSPP-N7-Cxx-10DQi)

Parameters	Symbol	Min.	Typ.	Max.	Unit	Note
Operating Data Rate	DR	24.33	25.78		Gb/s	
Receiver Sensitivity	SEN			-13.3	dBm	1
Maximum Receive Power	PRX-MAX	+2			dBm	1
Optical Center Wavelength	λ _C	1260		1600	nm	
LOS De-Assert	LOS _D			-15	dBm	
LOS Assert	LOS _A	-30			dBm	
LOS Hysteresis	LOS _{HY}	0.5			dB	
Differential Data Output Swing	V _{OUT}	300		900	mV	
Receiver LOS Signal Output Voltage-Low	LOS _{VL}	GND		0.8	V	
Receiver LOS Signal Output Voltage-High	LOS _{VH}	2.0		V _{CC}	V	

Note1: Measured with a PRBS 2³¹-1 test pattern @25.78Gbps BER<5x10⁻⁵.

Pin Assignment



Host PCB SFP28 Pad Assignment Top View



Pin Description

Pin	Name	Function / Description
1	VEET	Transmitter Ground
2	Tx_FAULT	Transmitter Fault Indication (1)
3	Tx_DISABLE	Transmitter Disable – Turns off transmitter laser output (2)
4	SDA	2-wire Serial Interface Data Line (SDA: Serial Data Signal) (3)
5	SCL	2-wire Serial Interface Clock (SCL: Serial Clock Signal) (3)
6	MOD_ABS	Module Absent, connected to VEET or VEER in the module (3)
7	RS0	Rate Select 0, optional (5)
8	Rx_LOS	Receiver Loss of Signal Indication (4)
9	RS1	Rate Select 1, optional (5)
10	VEER	Receiver Ground
11	VEER	Receiver Ground
12	RD-	Receiver Inverted Data output, AC coupled
13	RD+	Receiver Non-Inverted Data output, AC coupled
14	VEER	Receiver Ground
15	VccR	Receiver 3.3V Power Supply
16	VccT	Transmitter 3.3V Power Supply
17	VEET	Transmitter Ground
18	TD+	Transmitter Non-Inverted Data Input, AC coupled
19	TD-	Transmitter Inverted Data Input, AC coupled
20	VEET	Transmitter Ground

Note1: Tx Fault is open collector/drain output which should be pulled up externally with a 4.7K~10KΩ resistor on the host board to supply $V_{ccT}+0.3V$ or $V_{ccR}+0.3V$. When high, this output indicates a laser fault of some kind. Low indicates normal operation. In the low state, the output will be pulled to <math><0.8V</math>.

Note2: Tx Disable input is used to shut down the laser output per the state table below. It is pulled up within the module with a 4.7K~10KΩ resistor. 1) Low(0~0.8V): Transmitter on; 2) Between(0.8V and 2V): Undefined; 3) High (2.0~ VccT): Transmitter Disabled; 4) Open: Transmitter Disabled.

Note3: These are the module definition pins. They should be pulled up with a 4.7K~10KΩ resistor on the host board to supply less than $V_{ccT}+0.3V$ or $V_{ccR}+0.3V$. MOD_ABS is grounded by the module to indicate that the module is present.

Note4: Rx_LOS (Loss of signal) is an open collector/drain output which should be pulled up externally with a 4.7K~10KΩ resistor on the host board to supply $V_{ccT}+0.3V$ or $V_{ccR}+0.3V$. When high, this output indicates the received optical power is below the worst case receiver sensitivity (as defined by the standard in use). Low indicates normal operation. In the low state, the output will be pulled to <math><0.8V</math>.

Note5: Tied to ground through a 30K ohm resistor.



Digital Diagnostic Functions

As defined by the SFP MSA (SFF-8472) Ficer's SFP+ transceivers provide digital diagnostic functions via a 2-wire serial interface, which allows real-time access to the following operating parameters:

- Transceiver temperature
- Laser bias current
- Transmitted optical power
- Received optical power
- Transceiver supply voltage

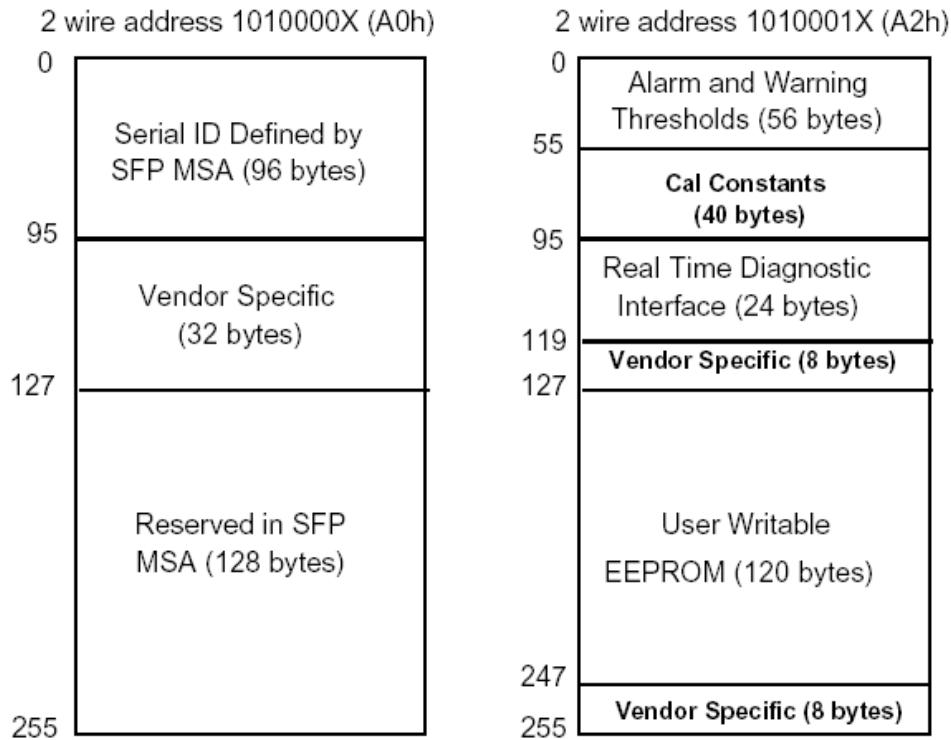
It also provides a sophisticated system of alarm and warning flags, which may be used to alert end-users when particular operating parameters are outside of a factory-set normal range.

The operating and diagnostics information is monitored and reported by a Digital Diagnostics Controller (DDC) inside the transceiver, which is accessed through the 2-wire serial interface. When the serial protocol is activated, the serial clock signal (SCL pin) is generated by the host. The positive edge clocks data into the SFP+ transceiver into those segments of its memory map that are not write-protected. The negative edge clocks data from the SFP+ transceiver. The serial data signal (SDA pin) is bi-directional for serial data transfer. The host uses SDA in conjunction with SCL to mark the start and end of serial protocol activation. The memories are organized as a series of 8-bit data words that can be addressed individually or sequentially.

For more detailed information including memory map definitions, please see the SFP MSA (SFF-8472) Specification.



Digital Diagnostic Memory Map

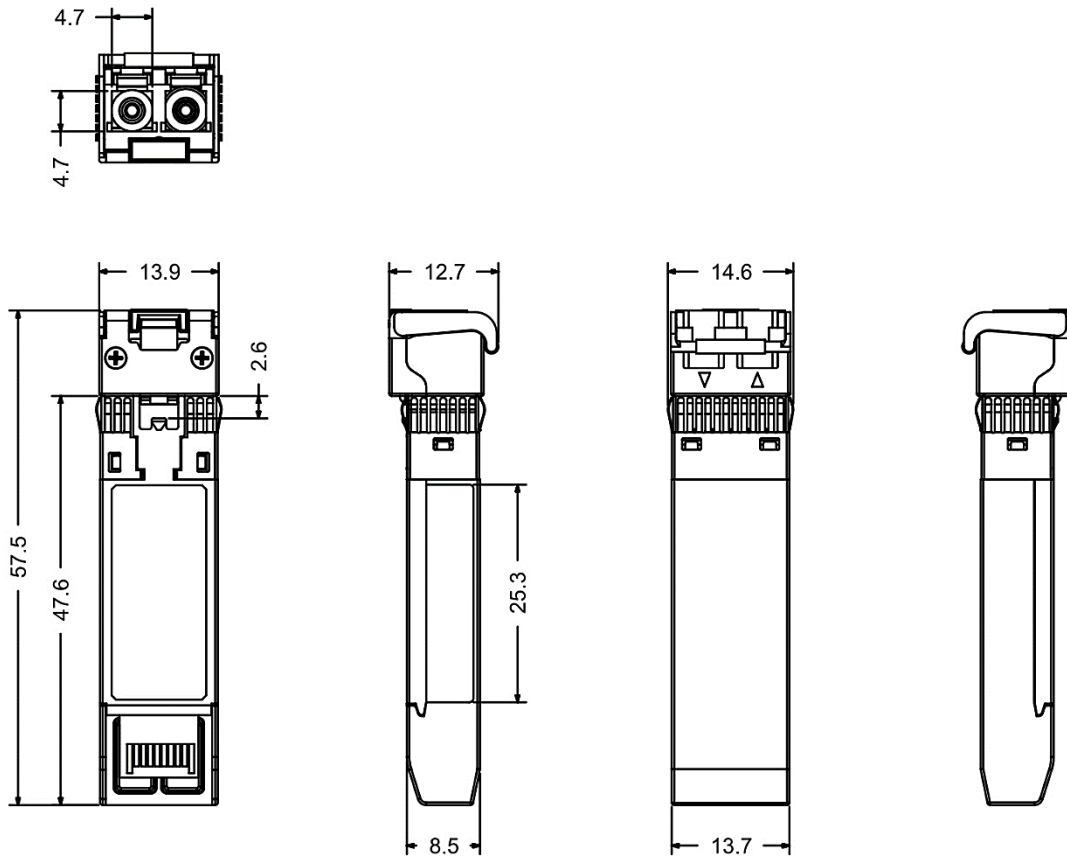


Digital Diagnostic Monitoring Characteristics

Parameter	Accuracy	Unit	Note
Temperature	±3	°C	Internal Calibration
Supply Voltage	±0.1	V	Internal Calibration
Tx Bias Current	±5	mA	Internal Calibration
Tx Output Power	±3	dB	Internal Calibration
Rx Received Optical Power	±3	dB	Internal Calibration



Mechanical Dimensions



(All Dimensions are $\pm 0.20\text{mm}$ Unless Otherwise Specified, Unit: mm)



Ordering Information

Part No.	Tx (xx=)	Latch Color	Link	DDM	Temp.
FSP-P-N7-Cxx-10DQ	27=1270nm	Light Purple	SMF 10km	Yes	0~70°C
	29=1290nm	Sky Blue			
	31=1310nm	Yellow Green			
	33=1330nm	Yellow Ocher			
	35=1350nm	Pink			
	37=1370nm	Light Brown			
FSP-P-N7-Cxx-10DQi	27=1270nm	Light Purple	SMF 10km	Yes	-40~85°C
	29=1290nm	Sky Blue			
	31=1310nm	Yellow Green			
	33=1330nm	Yellow Ocher			

Note: Distances are indicative only. To calculate a more precise link budget based on specific conditions in your application, please refer to the optical characteristics.